

Design Sheet - Windposts

Note: One windpost specification per sheet.

Please complete questions 1-10 below. This will enable us to produce drawings for approval prior to manufacture.

1. Contact Details

Contact Name

Company

Project Name

Site Address

.....

.....

Tel

Fax

Email

Order No.

2. Type of Windpost: (tick one box only)



Note: Windposts will be detailed and supplied as orientated above unless otherwise stated.

3. State either

Section Size

eg. 140 x 70 x 4 mm

or

Service Load/Post (kN)

eg. 7kN

4. Number Required

Number of windposts

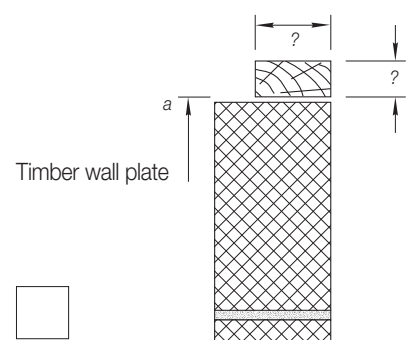
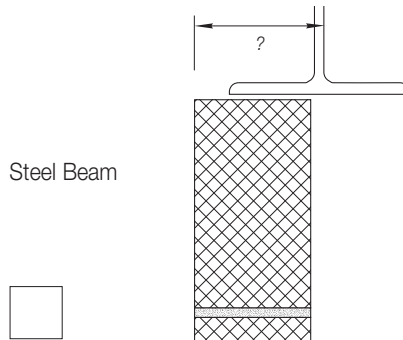
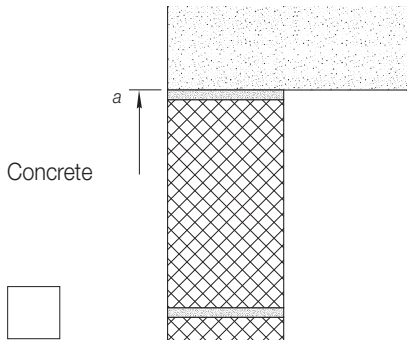
required to this specification

5. Length

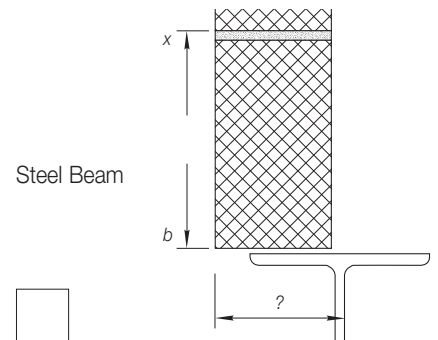
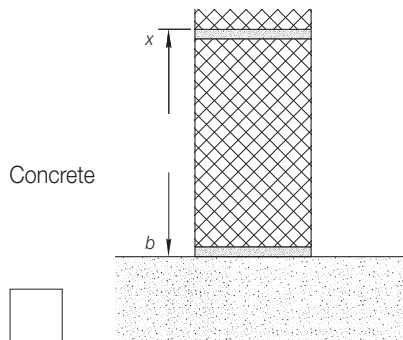
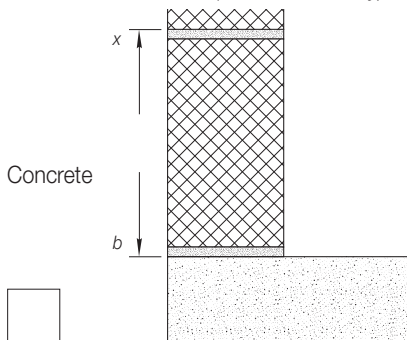
Structural Opening a to b (mm)

6. Top Connection (tick one box only)

Please indicate required top connection from drawings below and complete all applicable dimensions (see ?).



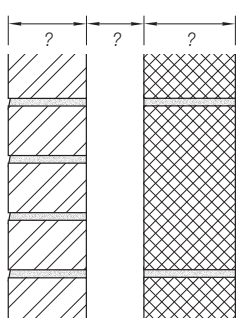
7. Base Connection (tick one box only)



8. Slot Dimension

Please state dimension from base to first tie position to match coursing - b to x (mm)

9. Brick, Block & Cavity Widths



Please state brick, block and cavity widths (mm):

Brick

Cavity

Block

10. Drawings Attached?

Yes

No

(Please attach drawings showing section through building if available)